



Info Day – Call for Tender for DTT TFC casing components: Tender Specification



Web event: 12/02/2023 14.30 CET (via zoom)

DTT INFO DAY – call for tender for DTT TFC casing components

DTT Consortium (DTT S.C.a r.l. Via E. Fermi 45 I-00044 Frascati (Roma) Italy)



The material and information contained in this presentation are provided for information purposes only and should not be construed as basis for Tender specifications of the call for tenders.

DTT Consortium (DTT S.C.a r.l. Via E. Fermi 45 I-00044 Frascati (Roma) Italy)



Tender Details



Type of procedure: Open tender.

Legal basis: Italian law on Public procurement (Code of contracts D.lgs 36/2023)

Who can participate? Any interested economic operator, as a single tenderer or joint submission, can apply to the procedure.

The conditions of the GPA (Government Procurement Agreement) stipulated in the framework of the WTO (World Trade Organization) apply to the procedures.

Applicants established in countries that haven't signed the Agreement will be excluded.

Estimated value ≈ 22 M€ - single lot (definitive amount will be communicated in tender notice)

Duration of the Contract: 40 months

Terms for submission offer: 40-50 days (TBD)



Conditions for participation



1. Suitability to pursue the professional activity (enrollment in one of the professional or trade registries, kept in their Member State of establishment)
2. Absence of any grounds of exclusion (art. 94 – 98 Code of contracts) – Possession of moral requirements (in case of joint tendering to be verified on each participant)
3. Demonstration of an adequate financial and technical capability for the execution of the supply.



Selection Criteria - 1



Economic and financial Capability

Demonstration to have the following noteworthy value:

- Average turnover of last 3 financial year closed higher than 10 M€/year;

A tenderer can, where appropriate, rely on the capacity of a third party to prove financial capacity.

Requirements reported above are indicative. DTT reserves the right to change, modify or add some. Definitive requirements will be reported in tender notice.



Selection Criteria - 2



Demonstration of adequate capability in designing and manufacturing of similar component in austenitic stainless steel (AISI 316L or 316LN).

Technical Capability

Minimum requirements:

- Having performed in last 6 years at least two supplies of similar components of large dimensions and heavy weight. Those similar supplies shall be equal or greater than 5 M€.

A tenderer can, where appropriate, rely on the capacity of a third party to prove technical capacity

Requirements reported above are indicative. DTT reserves the right to change, modify or add some. Definitive requirements will be reported in tender notice.



Selection Criteria - 3



Professional capability

The participants must demonstrate the possession of qualified personnel.

As minimum will be required:

- N. 1 project Manager with at least 5 years of experience in the management of project with a financial value > 5M€;
- N. 1 project Engineering with at least 5 years of experience in the manufacturing of components in stainless steels;
- N.2 certified welders
- N. 2 CATIA designers with at least 5 years of experiences

Requirements reported above are indicative. DTT reserves the right to change, modify or add some. Definitive requirements will be reported in tender notice.



Selection Criteria - 4



Quality/Management criteria:

- Demonstration of a working management system, that is appropriate for the technical scope of the contract resulting from this procurement procedure (ISO 9001-2015 certification or equivalent).
- Demonstrate that the participants is certified EN ISO 3834-2:2005 or equivalent (Quality requirements for fusion welding of metallic materials).

Requirements reported above are indicative. DTT reserves the right to change, modify or add some. Definitive requirements will be reported in tender notice.



Subcontracting



It is permitted, prior written authorization of DTT. Tenderer must indicate in the offer which part of the contract it intends to subcontract.

For activities listed below Subcontracting will be not admitted:

- Manufacturing plan;
- Welding of the inner and curved leg.



Award Criterion



Economically most advantageous offer:

- Technical and Quality ratio: 70%
- Price ratio: 30%

Evaluation sub-criteria will be detailed in tender documentation.



Technical offer

Documentation to provide:

- Technical proposal
- Quality Proposal with detailed schedule
- Risk register
- Declaration on trade or industrial secrets embedded in the offer
- Copy of the offer with the parties related to the industrial/trade secrets obscured.

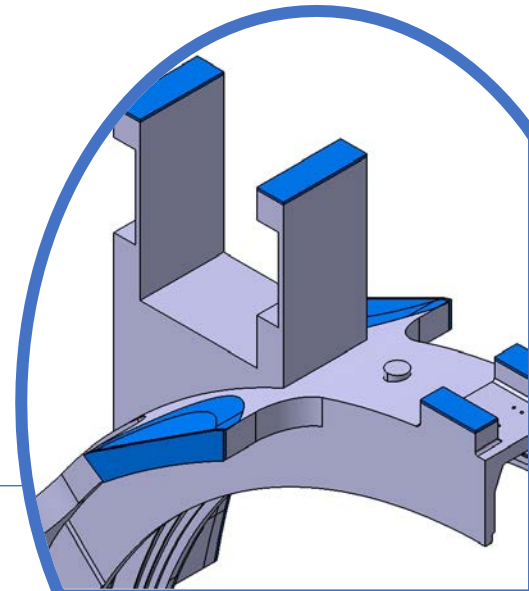
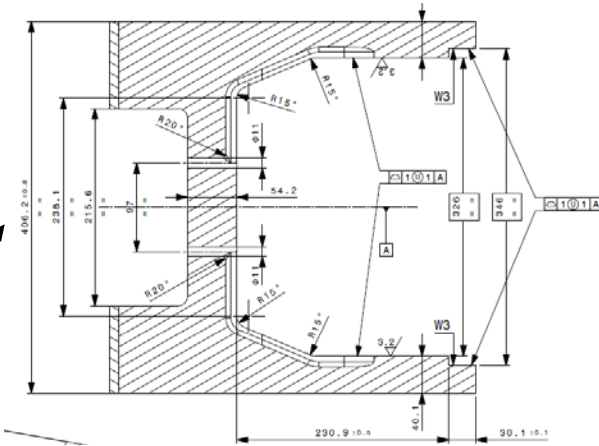
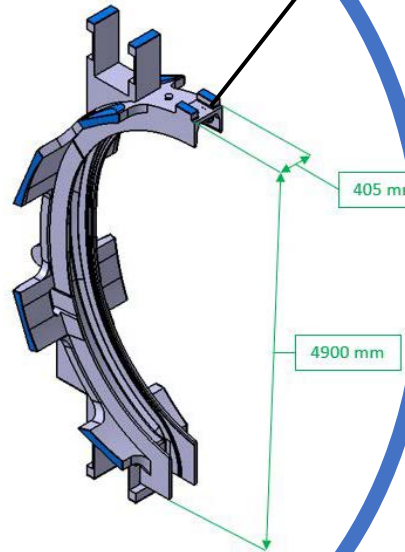
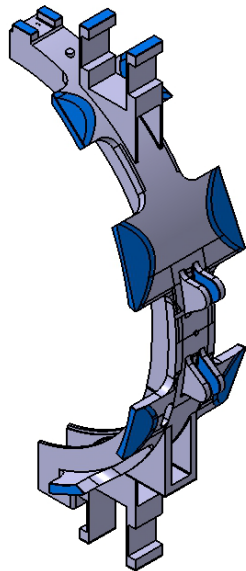
Focus on:

1. Description of the raw materials procurement plan for the whole supply
-

Technical offer



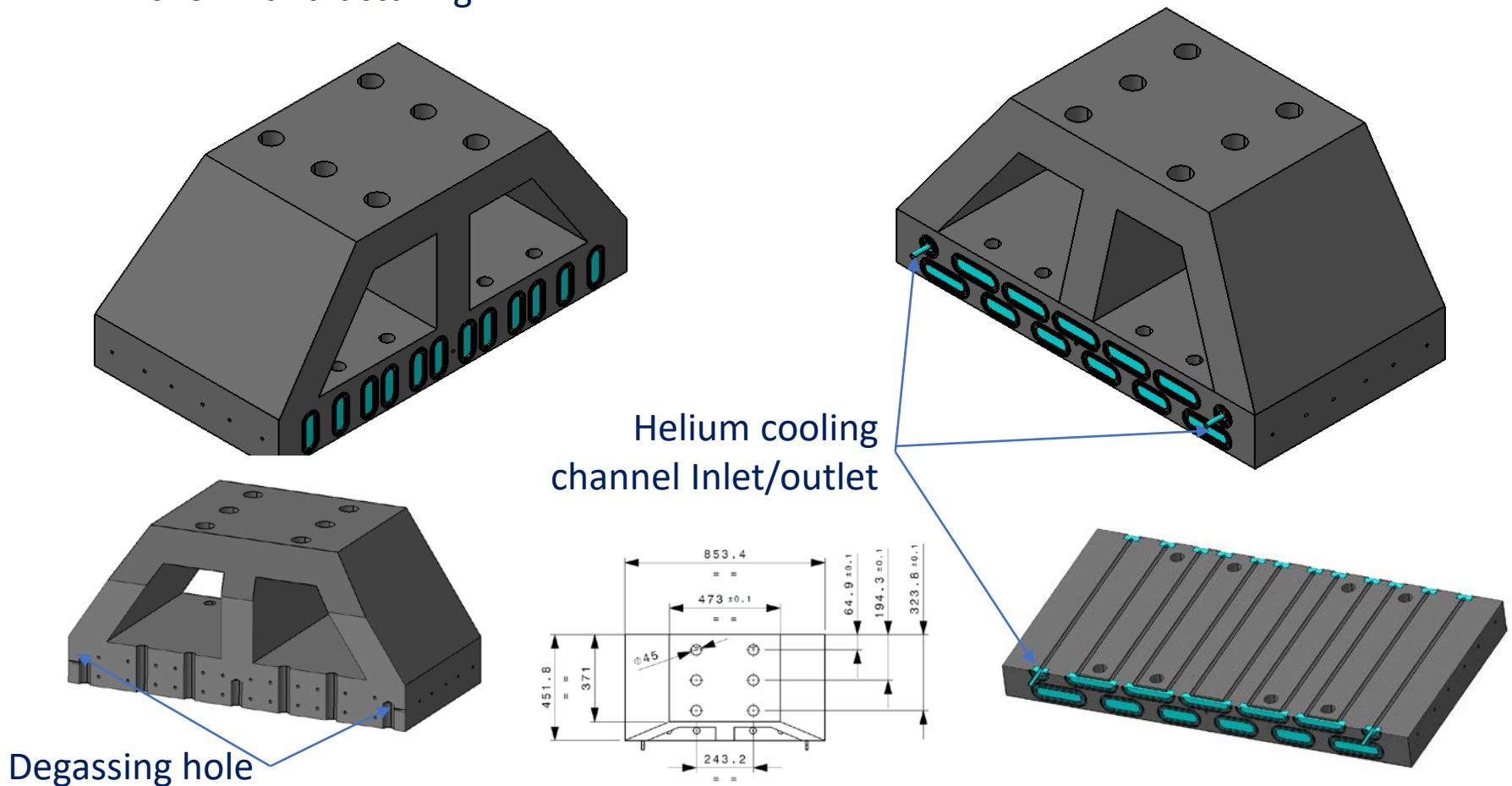
2. Detailed description of the manufacturing process for the supply of the Curved Leg Outboard taking into account a strategy to minimise the thermal expansion due to welding procedures.



Technical offer



- 3. Supply of the Welding map and manufacturing procedures for the Thermal Anchor manufacturing.





Economic offer

Offer shall contain single percentage discount applied on the total auction base amount net of VAT and/or other statutory taxes and contributions, as well as safety charges.

! Economic offer exceeding the auction base will be excluded. Partial, multiple, conditional, alternative and irregular bids will also be excluded.



Administrative Tips



- The whole procedure will be carried-out on electronic-platform used by DTT (<https://procurement.dtt-project.it/index.php>) Please get registered! Registration is free.
- Declarations and offer MUST be digitally signed with a system compliant with Eidas EU regulation!
- For demonstration of selection criteria, participants **shall get registered to FVOE** issued by **ANAC*1** (<https://www.anticorruzione.it/-/fascicolo-virtuale-dell-operatore-economico-fvoe>);
- **Participants shall pay a contribute to ANAC** and shall provide the receipts in Administrative envelope (amount will be detailed in tender documentation)
- Participants shall provide a “Guarantee” (bank or insurance guarantee) in amount equals to 2% auction base (details in tender documentation)

¹Italian Authority for Anti-Corruption



Contractual provisions



Down-payment: 20% of Contract price (beyond submission of a guarantee of equal amount)

Final guarantee: Before the signing of the contract, awarded contractor shall provide a bank or insurance guarantee equals to 10% of the contract amount.

Payment scheme: 30 days from the receipt of the invoice

Indexation: once a year starting from first anniversary of commencement will be evaluated the possibility to apply an Indexation following the rules reported in the DRAFT OF CONTRACT – annex of the call for tender.

Insurance: Before the signing, the contractor must provide a liability policy, which expressly provides for insurance against direct damage arising from the performance of the contract, with a minimum ceiling of 5 M€.

Transfer of contract: not admitted

THANK
YOU FOR
YOU
ATTENTION

